

KILOWATT HOUR METER



People Electric
Appliance serves for people.



中国·人民电器集团
PEOPLE ELE. APPLIANCE GROUP CHINA

KILOWATT HOUR METER



DDS858-4



DDS858-6



DTS858-4



DTS858-4

DDS858 SINGLE PHASE ELECTRONIC KILOWATT HOUR METER

APPLICATION

DDS858 series Electronic Single Phase Watt hour Meter is a high technology product adopted advanced IC technology as well as SMT technology, both circuit design and components selections are up to various working environment to guaranty that power meter can operate steadily for a long time. The finished meter don't need to be adjusted so that the calibration cycle is long, it will extremely reduce the labor force of the Electricity Board for calibrating power meters. The features of the products are anti-thief, long life, high accuracy, high reliability, low power consumption, small volume, light weight. The meter is up to the according to IEC 1036-96 and GB/T 17215-2002 standard.

TECHNICAL DATA:

Rated Voltage : 220V - 240V

Accuracy : 1.0, 2.0

Basic Current : 1.5(6)A, 2.5(10)A, 5(20)A, 10(40)A, 15(60)A,
20(80)A, 5(30)A, 10(60)A
80ms ± 20ms

DTS858 THREE PHASE ELECTRONIC KILOWATT HOUR METER

APPLICATION

DTS858 series Electronic Three Phase Watt hour Meter is a high technology product adopted advanced IC technology as well as SMT technology, both circuit design and components selections are up to various meter working environment to guaranty that power meter can operate steadily for a long time. The finished meter don't need to be adjusted so that the calibration cycle is long, it will extremely reduce the labor force of the Electricity Board for calibrating power meters. The features of the products are anti-thief, long life, high accuracy, high reliability, low power consumption, small volume, light weight. The meter is up to the according to IEC 1036-96 and GB/T 17215-2002 standard.

TECHNICAL DATA:

Name	Type	Accuracy (class)	Rated voltage(v)	Rated current(A)	Connection Mode
Three phase four wire active energy electronic type watt-hour meter	DTS858	1	3x380/220	3x1.5(6), 3x3(6)	Input through current transformer
				3x5(20), 3x10(40), 3x15(60), 3x5(30), 3x10(60),	Directly input



中国·人民电器集团
PEOPLE ELE. APPLIANCE GROUP CHINA

KILOWATT HOUR METER



DDS858-4



DDS858-6

DDS858 SINGLE PHASE ELECTRONIC PREPAYMENT KILOWATT HOUR METER

APPLICATION

DDS858 is a new kind of static single-phase prepayment watt-hour meter developed with the latest technology. It is used to measure 50/60Hz single-phase AC active energy. It is an ideal product to change the way of using electricity. With the practice of selling the power by card it can control the using of power conveniently. All the specifications are up to the standard IEC 1036-96 JB/T 8382-96.

NAME AND SPECIFICATION

Type	Accuracy (class)	Rated voltage(v)	Rated current(A)	Starting Current	Insulation
DDS858	1	220	1.5(6),2.5(10),5(20), 3(12),10(40),15(60), 20(80),5(30),10(60)	0.4%I _b	AC voltage 2KV for 1 minute impulse voltage 6KV

DTSY858 THREE PHASE ELECTRONIC PREPAYMENT KILOWATT HOUR METER

APPLICATION

DTSY858 is a new kind of static three-phase prepayment watt-hour meter developed with the latest technology. It is used to measure 50/60Hz three phase AC active energy. It is an ideal product to change the way of using electricity. With the practice of selling the power by card it can control the using of power conveniently. All the specifications are up to the standard IEC 1036-96 JB/T 8382-96.



DTSY858-4



DTSY858-6

NAME AND SPECIFICATION

Name	Type	Accuracy (class)	Rated voltage(v)	Rated current(A)	Connection Mode
Three phase four wire active energy electronic type prepayment watt-hour meter	DTSY858	1	3x380/220	3x1.5(6), 3x3(6)	Input through current transformer
				3x5(20), 3x10(40), 3x15(60),3x5(30), 3x10(60),	Directly input



中国·人民电器集团
PEOPLE ELE. APPLIANCE GROUP CHINA

DIN-RAIL KWH METER

DIN-RAIL KWH METER

DESCRIPTION:

- ◆ Be used both in 50Hz or 60Hz AC electricity networks.
Displayed on a horizontal positioned 5+1 impulse step type register.
Equipped with an SO contact for convenient monitoring with external equipment.



TECHNICAL PARAMETER:

Conform to IEC 61036 Accuracy: class 1, 2	Conform to IEC 61036 Accuracy: class 1, 2
Frequency: 50/60Hz Single phase: 220-240V	Frequency: 50/60Hz Three phase: 3X100V, 3X380V
Rated impulse voltage: Uimp 6KV-1.2/50μS	Rated impulse voltage: Uimp: 10KV-1.2/50μS
Power consumption: ≤1.5w / 6VA per phase	Power consumption: ≤2w / 10VA per phase
Temperature range: -10°C- +50°C	Temperature range: -10°C- +50°C

CONNECTION:

Mounting: DIN rail EN 50022



Designation	Rating (Amps)	Pack Qty.	Cat. No.
Single Phase 4 module	2.5(10)A	1	DS977-01A
	3(15)A	1	DS977-02A
	5(30)A	1	DS977-03A
	10(50)A	1	DS977-04A
	15(90)A	1	DS977-05A
	20(100)A	1	DS977-06A
	5(40)A	1	DS977-07A
	5(100)A	1	DS977-08A
Three Phase 7 module	CT type 1.5(10)A	1	DT977-01A
	3(6)A	1	DT977-02A
	Direct 5(30)A	1	DT977-03A
	10(50)A	1	DT977-04A
	15(90)A	1	DT977-05A
	20(100)A	1	DT977-06A
	5(40)A	1	DT977-07A
	5(100)A	1	DT977-08A



中国·人民电器集团
PEOPLE ELE. APPLIANCE GROUP CHINA

KILOWATT HOUR METER

DD28 DD862 SERIES SINGLE PHASE KILOWATT HOUR METER

TECHNICAL DATA :

Rated Voltage : 220V, 230V, 240V

Accuracy : 2.0

Basic Current : 3(6)A, 5(10)A, 10(20)A, 20(40)A, 30(60)A,
40(80)A, 5(20)A, 10(40)A, 15(60)A, 20(80)A,
10(30)A, 20(60)A



DD28-2



DD28-3

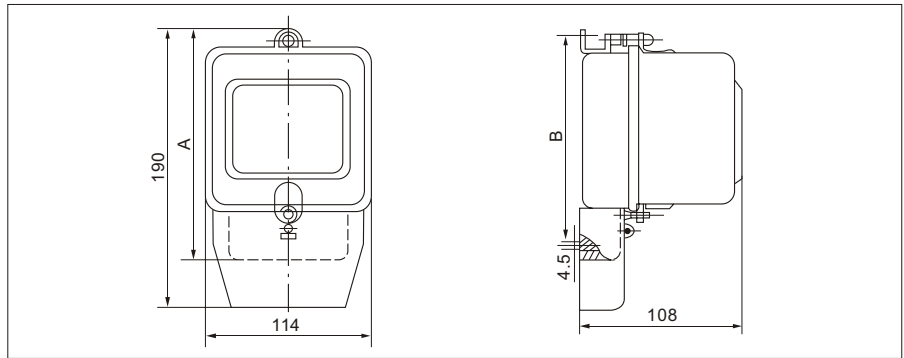


DD862-4



DD862-5

MOUNT DIMENSION :



$I_{max} > 20A$	A = 160mm	B = 147mm
$I_{max} \leq 20A$	A = 154mm	B = 142mm

APPLICATION

DD862 single-phase meter is an induction meter to measure single phase power at rated frequency 50HZ/60HZ, rated power 220/240V.

The Ambient temperature is 15~50°C, relative humidity below 85% at 23°C.

MAIN FEATURE:

Semi-enclosed and plug-in voltage core
Double jewel bearing
Cyclometer type register
Bi-direction register
PVC, Polycarbonate, Aluminum alloy cover available
Magnetic bearing available
Technical Specification: Rated Voltage 220V/240V
Accuracy: 2.0
Rated Current: 1.5(6)A, 3(6)A, 2.5(10)A, 5(20)A, 10(40)A
10(50)A, 15(60)A, 20(80)A, 30(100)A,



中国·人民电器集团
PEOPLE ELE. APPLIANCE GROUP CHINA

KILOWATT HOUR METER

D86 DTM862 D8 SERIES SINGLE PHASE KILOWATT HOUR METER

APPLICATION

Three phase of DT86M series pulse watt-hour meter is similar to it of DT862. But mounted pulse device in DT862 type three phase meter and special output outlet. The meter can identify the direction of disc rotation. The output may be passive or active in accordance with the users' request.



DT862-4



DTM862



D8

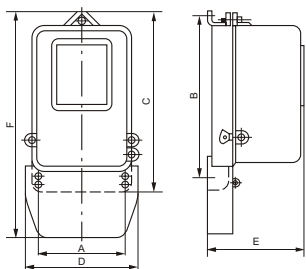
TECHNICAL DATA:

- ① The weight of pulse is $100\text{ms} \pm 20\text{ms}$, lower level voltage is valid.
- ② When the output is active, high level voltage is 12V(load).
- ③ As active output, apply max. current is 100mA.
- ④ As active output, the device withstands max. voltage is 50V.
- ⑤ As passive output, permissible max. current is 50mA.
- ⑥ RS485 interface.

SPECIFICATIONS :

Type	Accuracy	Rated voltage(V)	Basic current(A)
DT864 Three-phase 4-wire KW.h-meter	1.0	$3 \times 220/380$ $3 \times 230/400$ $3 \times 240/415$	$3 \times 1.5(6)$ $3 \times 3(6)$
DT862 Three-phase 4-wire KW.h-meter	2.0	$3 \times 220/380$ $3 \times 230/400$ $3 \times 240/415$	$3 \times 1.5(6)$ $3 \times 3(6)$ $3 \times 5(20)$ $3 \times 10(40)$ $3 \times 15(60)$ $3 \times 30(100)$
DS864 Three-phase 3-wire KW.h-meter	1.0	3×100	$3 \times 1.5(6)$ $3 \times 3(6)$
DS862 Three-phase 3-wire KW.h-meter	2.0	3×100	$3 \times 1.5(6)$ $3 \times 3(6)$
		3×380	$3 \times 5(20)$ $3 \times 10(40)$ $3 \times 15(60)$
DX864 Three-phase 4-wire KV ar.h-meter	2.0	3×380	$3 \times 1.5(6)$ $3 \times 3(6)$
DX862 Three-phase 4-wire KV ar.h-meter	3.0	3×380	$3 \times 1.5(6)$ $3 \times 3(6)$
DX863 Three-phase 3-wire KV ar.h-meter	2.0	3×100	$3 \times 1.5(6)$ $3 \times 3(6)$
		3×380	$3 \times 1.5(6)$ $3 \times 3(6)$
DX865 Three-phase 3-wire KV ar.h-meter	3.0	3×100	$3 \times 1.5(6)$ $3 \times 3(6)$
		3×380	$3 \times 1.5(6)$ $3 \times 3(6)$

MOUNT DIMENSION:



Specification(A)	A	B	C	D	E	F
$I_{\text{max}} \leq 40$	128	236	253	165	126	320
$I_{\text{max}} > 40$	132	242	260	165	128	320

MAIN TECHNICAL DATA:

Type	Accuracy	Rated voltage(V)	Basic current(A)	Connection
DT8 Three-phase 4-wire KW.H-meter	2.0	$3 \times 220/380$	3×5	C.T
		$3 \times 230/400$	3×10 3×25 3×30 3×40 3×50 3×60 3×80 3×100 3×120	Direct
		$3 \times 240/415$		
DS8 Three-phase 3-wire KW.H-meter	2.0	3×100	3×5	C.T
		3×380	3×5	Direct
			3×10 3×25	
DX8 Three-phase 3-wire KV ar.h-meter	3.0	3×100	3×5	C.T
		3×380		