



# FUSE



People Electric  
Appliance serves for people.



Rohs CB



ISO9001 ISO14001 OHSAS18001



中国·人民电器集团  
PEOPLE ELE. APPLIANCE GROUP CHINA

FUSE

## NT H.R.C LOW VOLTAGE FUSE

### TECHNICAL SPECIFICATIONS



**Puller**

Type	Fuse link				Fuse base		
	Rated current (A)	Rated voltage (V)	Rated power loss (W)	Weight (kg)	Type	Rated current (A)	Weight (kg)
NT0	6	500,600	1.03	0.2	Sist 100	160	0.32
	10	500,600	1.42				
	16	500,600	2.45				
	20	500,600	2.36				
	25	500,600	2.7				
	32	500,600	3.74				
	35	500,600	4.3				
	40	500,600	4.7				
	50	500,600	5.5				
	63	500,600	6.9				
	80	500,600	7.6				
NT1	100	500,600	8.9	0.36	Sist 201	250	0.8
	125	500	10.1				
	160	500	15.2				
	80	500,600	6.2				
	100	500,600	7.5				
	125	500,600	10.2				
	160	500,600	13				
NT2	200	500,600	15.2	0.65	Sist 401	400	1.2
	224	500	16.8				
	250	500	18.3				
	125	500,600	9				
	160	500,600	11.5				
	200	500,600	15				
	224	500,600	16.6				
	250	500,600	18.4				
300	500,600	21					
NT3	315	500,600	19.2	0.85	Sist 601	630	1.5
	355	500,600	24.5				
	400	500,600	26				
	315	500,600	21.7				
	355	500,600	22.7				
NT4	400	500,600	26.8	1.95	Sist 1001	1000	3.45
	425	500,600	28.9				
	500	500	32				
	630	500	40.3				
	800	380	62				
	1000	380	75				



中国·人民电器集团  
PEOPLE ELE. APPLIANCE GROUP CHINA

FUSE

## H. R. C. FUSE



RT18-32X 1P



RT18-32X 2P



RT18-32 3P



RT18-63X 1P



RT18-63X 2P



RT18-63X 3P



PRT18-32 1P



PRT18-32 2P



PRT18-32 3P



PSF 1P



PSF 2P



PSF 3P



中国·人民电器集团  
PEOPLE ELE. APPLIANCE GROUP CHINA

FUSE

# CYLINDRICAL FUSE



FUSE LINK

## APPLICATIONS

The fuses with fuse links having cylindrical contact caps are designed for protecting electrical distributing installations of rated voltage of 380V AC, with rated current up to 125A against damage due to overload and short circuit current.

Fuse links with the stricker are supplied for purpose of protecting motors against motor single phasing operation when fitted in fuse isolators.



RL6 FUSE

## TECHNICAL SPECIFICATIONS

Dimension mm	Rated current(A)	L	Hamx (MM)	φC
8.5×31.5	2,4,6,10,16	31.5± <sup>0</sup> <sub>0.6</sub>	8.2	8.5±0.1
10×38	2,4,6,10,16,20,25,32	31.5±0.6	10.5	10.3±0.1
14×51	2,4,6,10,16,20,25,32,40,50,63	51± <sup>06</sup> <sub>10</sub>	13.8	14.3±0.1
22×58	10,16,20,25,32,40,50,63,80,100	58± <sup>01</sup> <sub>20</sub>	16.2	22.2±0.1
30×58	63,80,100,125	58± <sup>01</sup> <sub>20</sub>	16.2	30±0.1

## SPECIFICATION



RL6-16ND

RL6-25

RL6-63

Model	RL-16ND	RL6-25	RL6-63
Rated voltage	500V	500V	500V
Rated current of fuse	25A	25A	63A
Rated current of fusant	1,2,4,6,10A	2,4,6,10,16,20,25A	35,50,63A
Rated breaking current	50KA cos φ=0.1-0.2kg	50kA cos φ=0.1-0.2	50kA cos φ=0.1-0.2
Overall dimensions	35X35X70mm	66X43X80mm	89X54X82mm
Weight	0.15kg	0.20kg	0.35kg



E27 25A 3P



E33 63A 3P



中国·人民电器集团  
PEOPLE ELE. APPLIANCE GROUP CHINA

FUSE

FUSE



KR-2P-30A



KR-4P-30A



KR-4P-63A



RT10



RT32



RT16



RT32-1



BS 60N FUSE



BS 100N FUSE



BS 100N-1P+N FUSE



HRC-100/C



HRC-100-B



HRC-63



HRC-100



中国·人民电器集团  
PEOPLE ELE. APPLIANCE GROUP CHINA

FUSE

## HR17 FUSE DISCONNECTOR

### SPECIFICATIONS

Switch Rating Heat Current(A)	Number of Poles	Assorted Fuse	Rated Current (A)
160	2,3,4	NT00	4,6,10,16,20,25,32,35,40,50,63,80,100,125,160
250		NT1	80,100,125,160,200,224,250
400		NT2	125,160,200,224,250,300,315,355,400
630		NT3	315,335,400,425,500,630



HR17

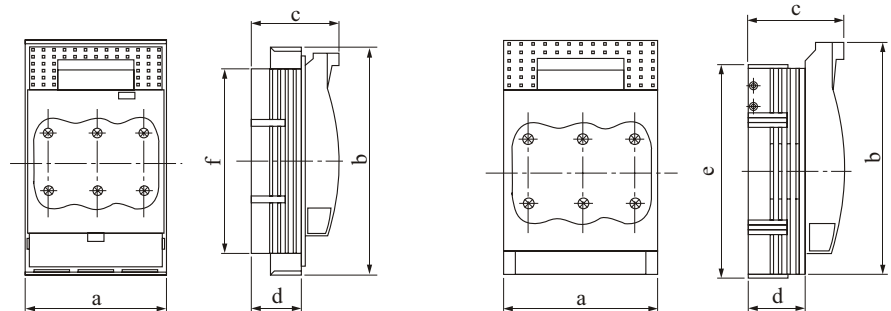
### DIMENSION

HR17

Model	Assorted Fuse	A	B	C	D	E
HR17-160/20	NT00	106	73	82.5	45	151
HR17-250/20	NT1	184	128	111.5	66	214.5
HR17-400/20	NT2	210	145	128	80	255
HR17-630/20	NT3	256	175	142.5	94.5	267
HR17-160/30	NT00	106	200	82.5	45	151
HR17-250/30	NT1	184	243	111.5	66	214.5
HR17-400/30	NT2	210	288	128	82	255
HR17-630/30	NT3	256	300	142.5	94.5	267



HR17B



HR17-160A

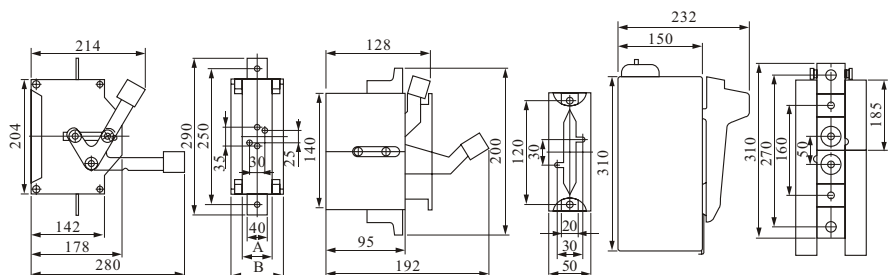
HR17-250A~630A

HR17B

Model	Fuse	A	B	C	D	E	F
HR17B-160/10	NT00	200	50	128	192	30	30
HR17B-250/10	NT1	290	100	214	280	35	30
HR17B-400/10	NT2	290	100	214	280	35	30
HR17B-630/10	NT3	290	115	214	280	35	35
HR17B-1250/10	NT4	345	127	235	410	50	



HG2B



HR17B-160~630/10

HR17B-1250/10



中国·人民电器集团  
PEOPLE ELE. APPLIANCE GROUP CHINA

Blank page with horizontal dashed lines for writing.